

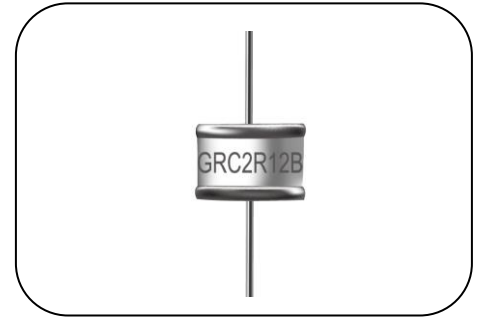
Gas Discharge Tube: GRC Series



2-Electrode $\Phi 8 \times T6/7.9$ mm High Voltage and Surge Type

■ Features

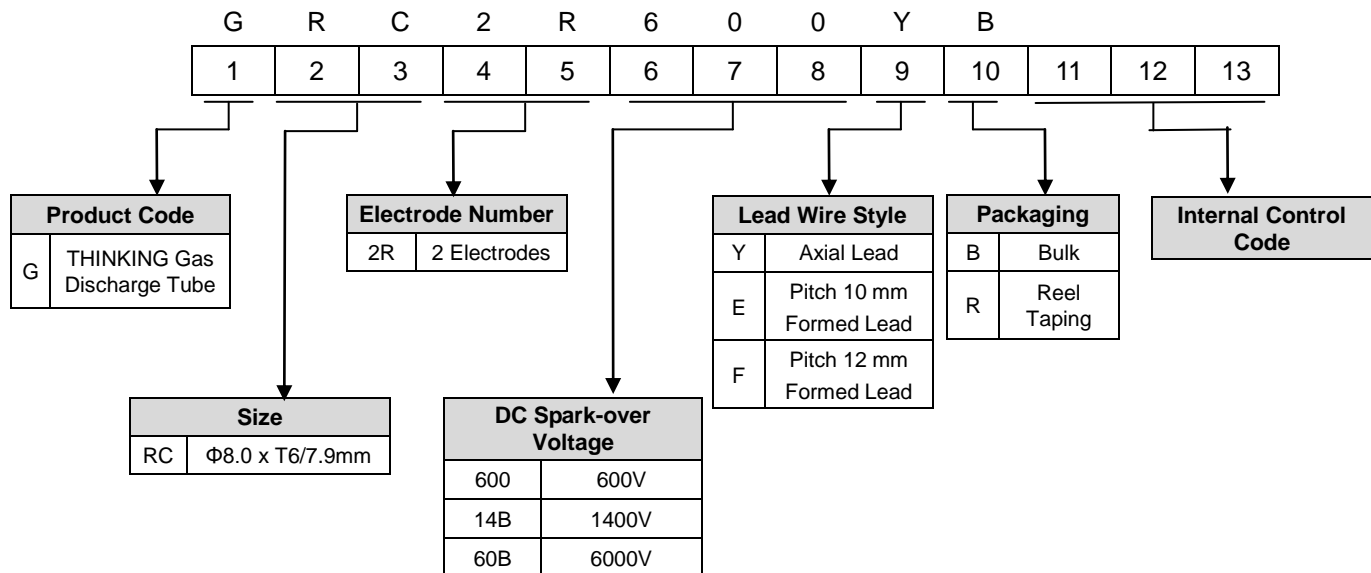
1. RoHS & HF compliant
2. Rugged ceramic-metal construction
3. Available lead wire
4. DC spark-over voltage: 280~6500V
5. Low capacitance
6. Agency recognition: UL / cUL
7. Operating temperature: $-40^{\circ}\text{C} \sim +125^{\circ}\text{C}$
Storage temperature: $-40^{\circ}\text{C} \sim +115^{\circ}\text{C}$



■ Recommended Applications

1. Modem
2. xDSL splitter
3. CATV system
4. Power supply
5. Consumer electronics
6. Communication lines

■ Part Number Code



Gas Discharge Tube: GRC Series



2-Electrode Φ8xT6/7.9mm High Voltage and Surge Type

■ Characteristics

Part No.	DC Spark-over Voltage	Max. Impulse Breakdown Voltage		Max. Impulse Discharge Current (8/20μs)		Arc Voltage	Max. Follow On Current	Hit-pot Test Voltage (Vac)	Minimum Insulation Resistance	Maximum Capacitance (1MHz)	Safety Approvals
	100V/S	100V/μs	1KV/μs	1 time	10 times	at 1 Amp Min		60S			
	(V)	(V)	(V)	(KA)		TYP		Amps			
GRC2R280□□	230-340	500	550	10	5	~25	200	/	10	1.5	√
GRC2R600□□	600±20%	1100	1200					/			√
GRC2R800□□	800±20%	1300	1500					/			√
GRC2R10B□□	1000±20%	1400	1500					/			√
GRC2R11B□□	1100±20%	1600	1700					/			√
GRC2R12B□□	1200±20%	1700	1800					/			√
GRC2R13B□□	1300±20%	1800	1900					/			√
GRC2R15B□□	1500±20%	1800	2000					/			√
GRC2R20B□□	2000±20%	2500	2750					1000			√
GRC2R25B□□	2500±20%	3200	3500					1250			√
GRC2R27B□□	2700±20%	3600	4000					1350			√
GRC2R30B□□	3000±20%	4000	4200					1500			√
GRC2R33B□□	3300±20%	4600	4700					1650			√
GRC2R40B□□	4000±20%	5800	6000					2000			√
GRC2R45B□□	4500±20%	6150	6500					2250			√
GRC2R50B□□	5000±20%	7500	8000					2500			√
GRC2R62B□□	6200±20%	8100	9500					3100			√
GRC2R65B□□	6500±20%	9500	10000	3250	√						

Note 1 : The first □ is style of lead wire, and the second □ is packing.

Note 2 : T of GRC2R280□□~GRC2R25B□□ is 6±0.2mm, and T of GRC2R27B□□~GRC2R65B□□ is 7.9±0.3mm.

Note 3 : UL 1449 4th File No: E314979

Note 4 : Insulation resistance test conditions:

DC Spark-over Voltage	DC Measuring Voltage
151-400V	100V
401-1000V	250V
1001-2000V	500V
2001-6500V	1000V

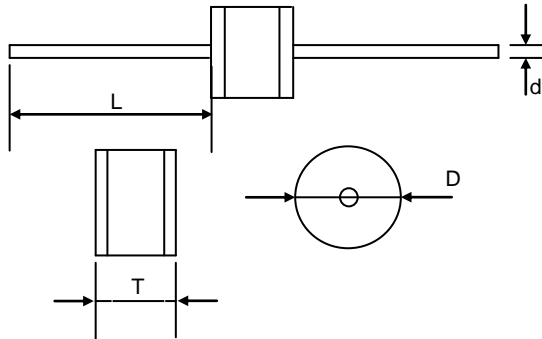
Gas Discharge Tube: GRC Series



2-Electrode $\Phi 8 \times T6/7.9$ mm High Voltage and Surge Type

Dimension

□ = Y (Axial Lead Type)

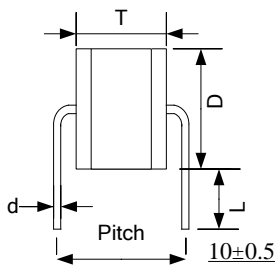


(Unit: mm)

Item	Dimensions	
	Spec.	Tolerance
D	8.0	± 0.2
T	6.0&7.9	± 0.2 & ± 0.3
L	20	Min.
d	0.8	± 0.05

Note: T of GRC2R280□□~GRC2R25B□□ parts are 6mm, and T of GRC2R27B□□~GRC2R65B□□ are 7.9mm.

□ = E (Formed Lead)

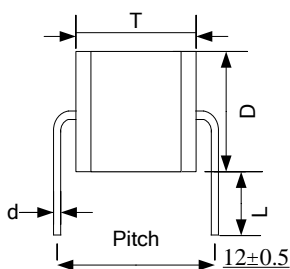


(Unit: mm)

Item	Dimensions	
	Spec	Spec
D	8.0	± 0.2
T	6.0	± 0.2
d	0.8	± 0.05
L	4.0	± 0.5
P	10.0	± 0.5

Note: T of GRC2R280□□~GRC2R25B□□ parts are 6mm;

□ = F (Formed Lead)



(Unit: mm)

Item	Dimensions	
	Spec	Spec
D	8.0	± 0.2
T	7.9	± 0.3
d	0.8	± 0.05
L	4.0	± 0.5
P	12.0	± 0.5

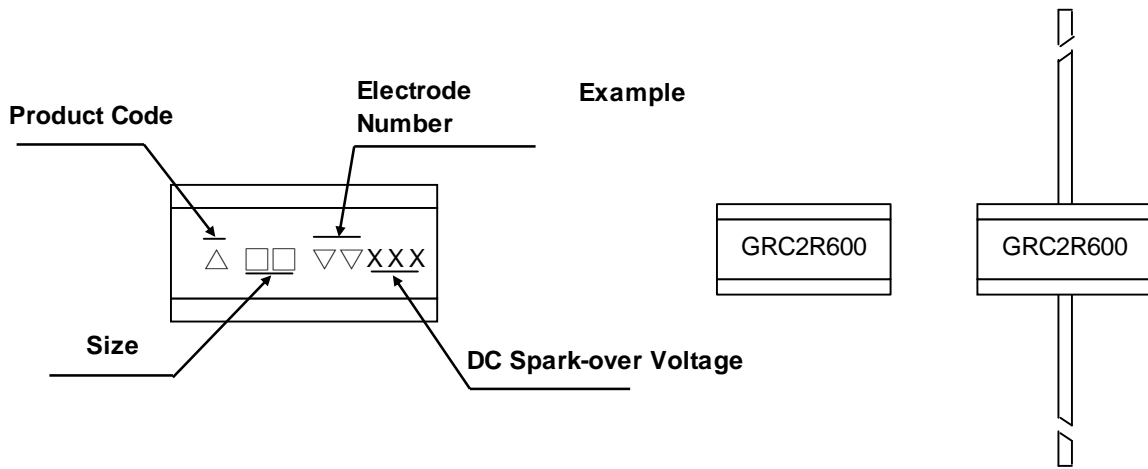
Note: T of GRC2R27B□□~GRC2R65B□□ parts are 7.9mm.

Gas Discharge Tube: GRC Series

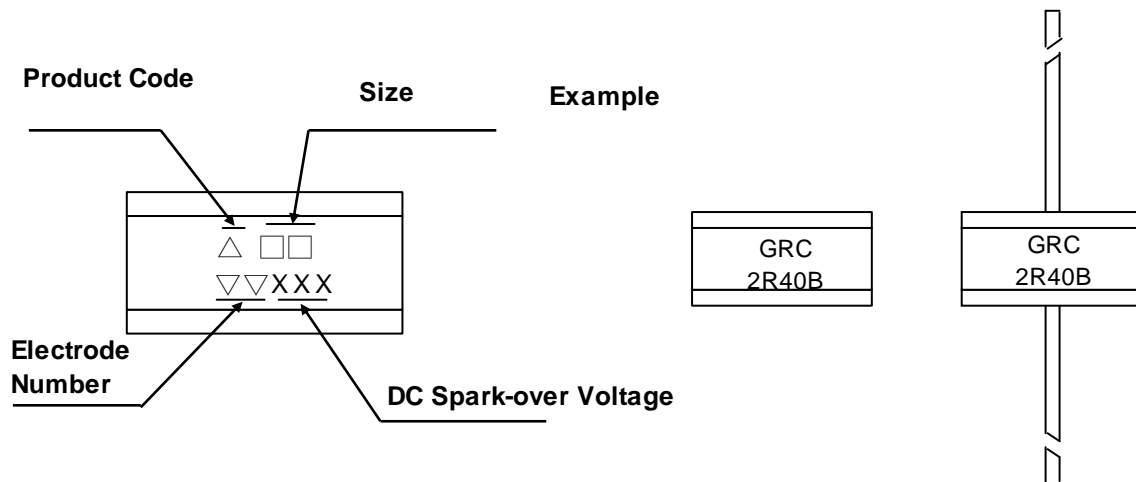


2-Electrode $\Phi 8 \times T6/7.9$ mm High Voltage and Surge Type

■ Marking



Note: T of GRC2R280□□~ GRC2R25B□□ parts are 6mm.



Note: T of GRC2R27B□□~GRC2R65B□□ are 7.9mm.

■ Packaging

● Bulk

◆ 8x6mm For Axial Lead (Y/E Type):

Quantity: 100pcs per PVC Box, and 500 pcs per Inner Box

Quantity (MPQ): 500pcs

◆ 8x7.9mm For Axial Lead (Y/F Type):

Quantity: 100pcs per PVC Box, and 500 pcs per Inner Box

Quantity (MPQ): 500pcs

Gas Discharge Tube: GRC Series



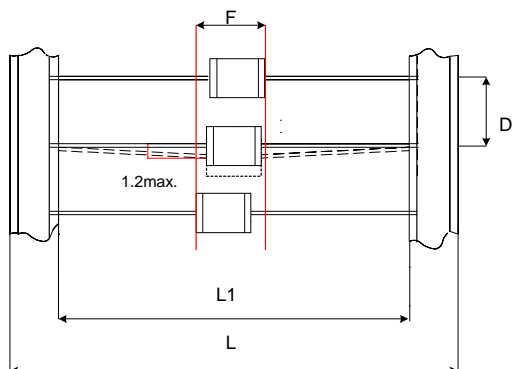
2-Electrode $\Phi 8 \times T6/7.9$ mm High Voltage and Surge Type

● Taping

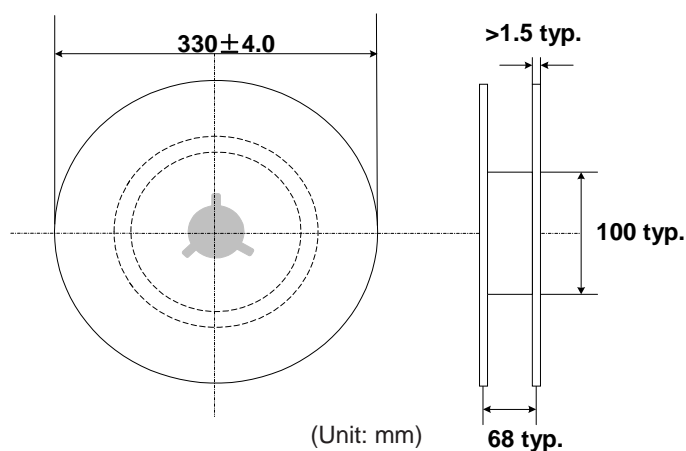
For 2-electrode Axial Lead GDT: 500 PCS/Reel

Quantity (MPQ): 500pcs

(Unit: mm)



Item	Dimensions	
	Spec.	Tolerance
L1	52	± 2
L	64	± 3
D	10	± 0.5
F	T + 1.4	Max.



■ Warehouse Storage Conditions of Products

● Storage Conditions:

1. Storage Temperature: $-10^{\circ}\text{C} \sim +40^{\circ}\text{C}$
2. Relative Humidity: $\leq 75\% \text{RH}$
3. Keep away from corrosive atmosphere and sunlight.

● Period of Storage: 1 year